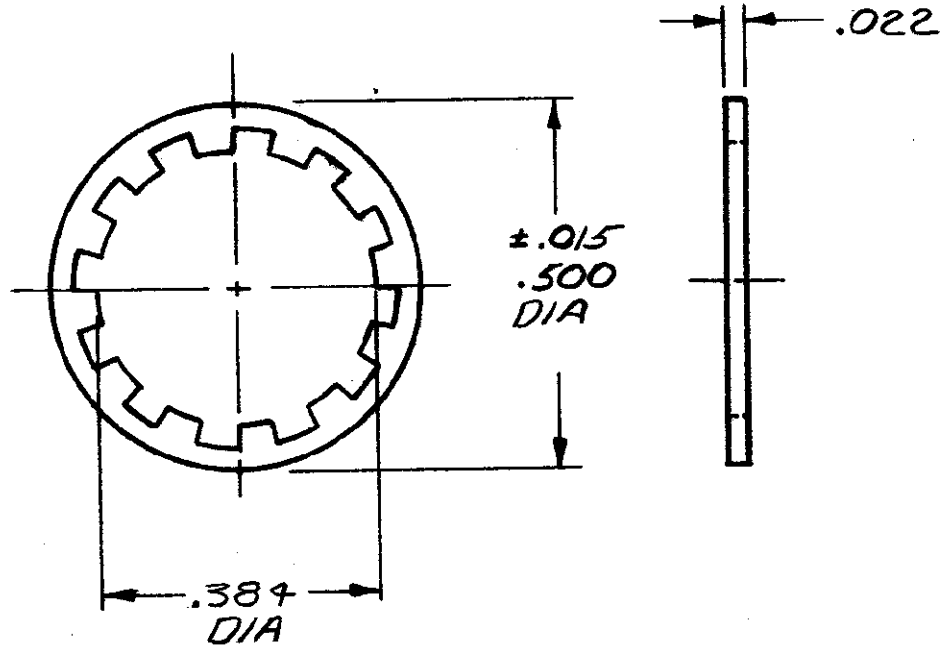


REVISIONS					
P	F	LTR	DESCRIPTION	DATE	APPROVED
✓	✓	B	REVISED PER CB2-927	6-21-82	<i>CB</i>
✓	✓	C	REVISED DIM CB2-922	8-16-82	<i>RLF</i>

329492
 JUNE 19, 1982
 RELEASED FOR PUBLICATION
 BY AMP INCORPORATED, HARRISBURG, PA. ALL INTERNATIONAL RIGHTS RESERVED. AMP PRODUCTS MAY BE COVERED BY U.S. AND FOREIGN PATENTS AND/OR PATENTS PENDING.



UNLESS OTHERWISE SPECIFIED DIMENSIONS ARE IN INCHES. TOLERANCES ON:
 DECIMALS ±.008
 ANGLES ± —

MATERIAL
 STAINLESS STEEL
 (QQ-S-766)

FINISH
 SILVER PL
 (QQ-S-365)

CONTRACT NO
 DR *T. Smith 6/14/82*

CHK *W. K. DeTroy 6-21-82*

APPR *T. Smith 6/24/82*

DSGN APPD

OTHER APPD

AMP | AMP INCORPORATED
 Harrisburg, Pa. 17105

NAME
LOCK WASHER

SIZE **A** PGM NO **00779** DRAWING NO **329492**

SCALE **NTS** SHEET

PART NO